



BOULDER DESIGN GROUP

---

**NIBLICK**

DEMO TO BE COMPLETED BY VERON BUILDERS

-DEMO EXISTING KITCHEN CABINETS/COUNTERTOPS/BACKSPLASH,  
SINK, FAUCET (HOMEOWNER MIGHT DONATE CABINETS:PENDING.

-DEMO FLOORING- KITCHEN, ENTRY, STAIRWELL UP, LANDING ON  
SENCOND FLOOR, LIVING ROOM, HALLWAY, DINING ROOM- DEMO  
PENDING FOR MASTER BEDROOM AND CLOSET FLOORING.

DEMO PLAN

NOT TO SCALE

BDG

DEMO WALL AND CEILING BRIDGE BETWEEN  
KITCHEN AND DINING ROOM

**KEEP:**  
CLIENTS DISHWASHER  
CLIENTS REFRIGERATOR



SEE PLAN PRINTED IN ONSITE BOOK

DEMO PLAN



NOT TO SCALE

DEMO REFRIGERATOR RETURN WALL AND ENTRY WALL BACK -KEEP WALL AT 40" LENGTH-  
SUPPORT POST



DEMO WALL: MAKE AS THIN AS POSSIBLE WITH  
SUPPORT POST

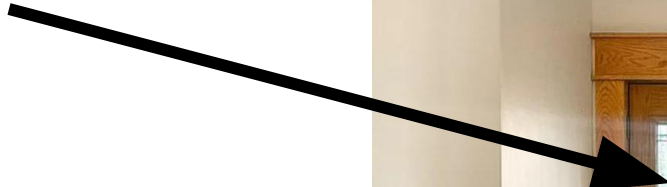


DEMO PLAN

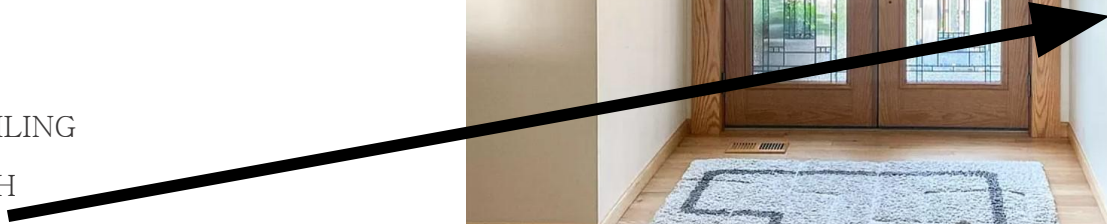
NOT TO SCALE



KEEP EXISTING DOORS-WILL PAINT DOORS SAME  
COLOR AS WINDOW TRIM



DEMO WALL: WILL REPLACE WITH IRON RAILING  
KEEP SUPPORT POST- WILL REPLACE WITH  
IRON OPTION



SEE PLAN PRINTED IN ONSITE BOOK

DEMO PLAN



NOT TO SCALE

DEMO ALL PONY WALLS ON LANDING-WILL  
REPLACE WITH IRON RAILING SYSTEM



DEMO LIGHTING AND ALL ELECTRICAL IN WALLS  
UNDER LANDING



DEMO WALLS ON FIRST FLOOR UNDER  
LANDING-KEEP EXISTING (2) SUPPORT POSTS,  
WRAP IN DRYWALL



DEMO PLAN

NOT TO SCALE



DEMO FIREPLACE SURROUND, HEARTH, AND MANTLE

KEEP EXISTING FIREPLACE INSERT



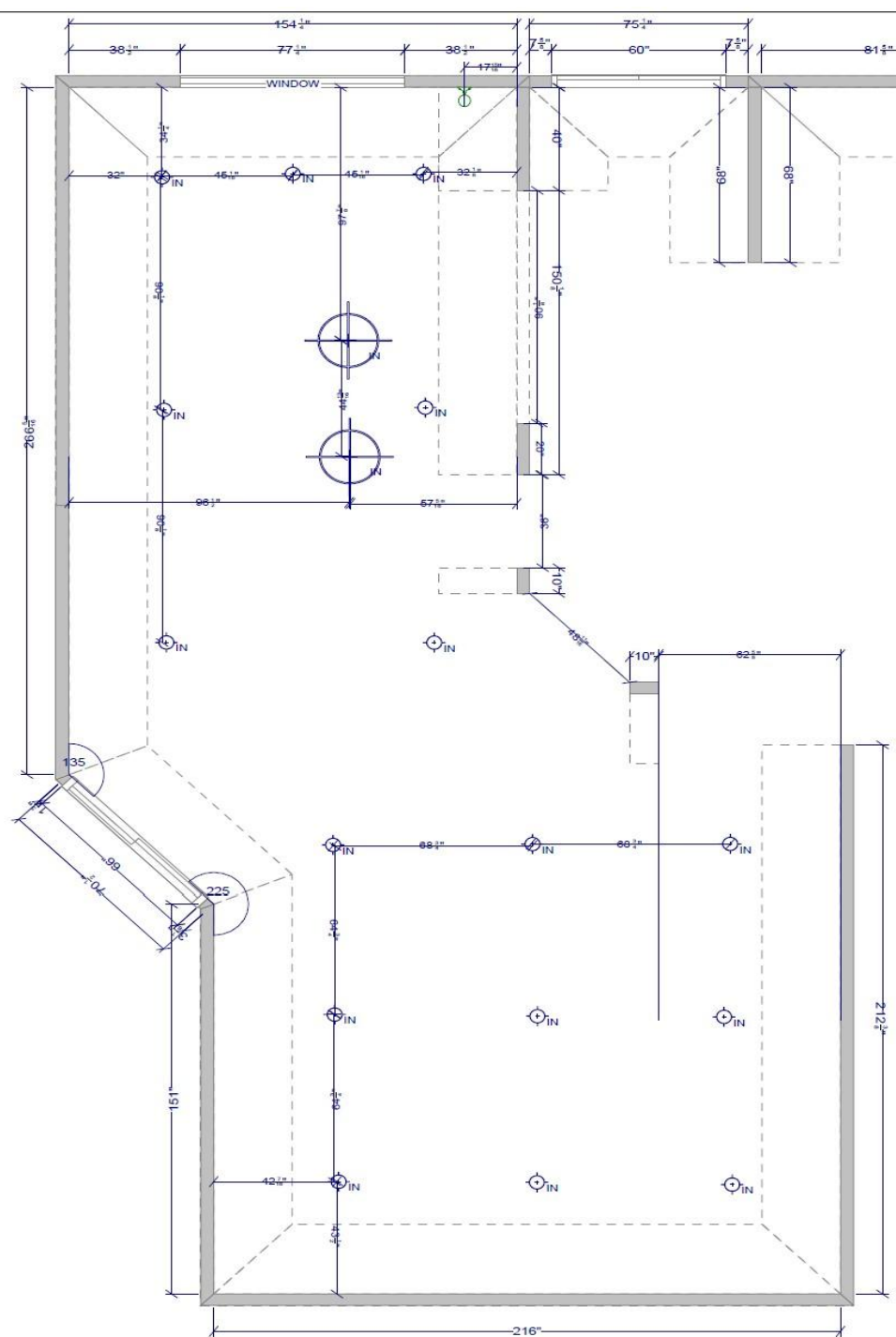
SEE PLAN PRINTED IN ONSITE BOOK



LEGEND:

 4" EYEBALL  
RECESSED CAN

 HOMEOWNER  
SUPPLIED  
HANGING  
PENDANT



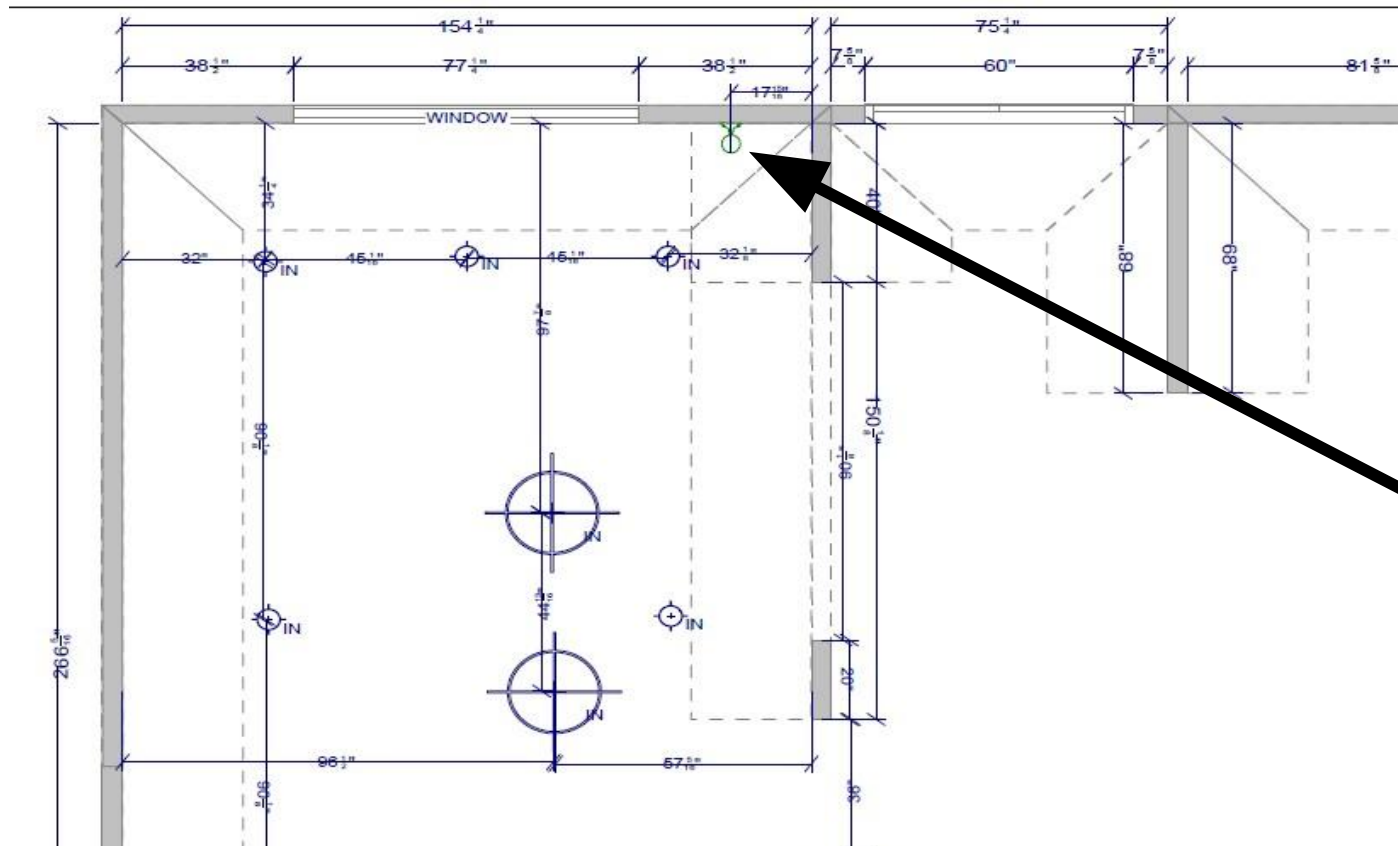
LIGHTING PLAN   
NOT TO SCALE

SEE PLAN PRINTED IN ONSITE BOOK

LIGHTING PLAN

BDG

NOT TO SCALE



INSTALL WALL SCONCE AT 87" AFF



KITCHEN DESIGN



BDG

CABINET SPECS

BDG

NO SCALE

**KITCHEN PERIMETER**

CHROMA DOOR STYLE

PAINTABLE

COLOR CYBERSPACE

**ISLAND**

CAMDEN DOOR STYLE

KNOTTY ALDER

CORIANDER

**WALL CABINETS**

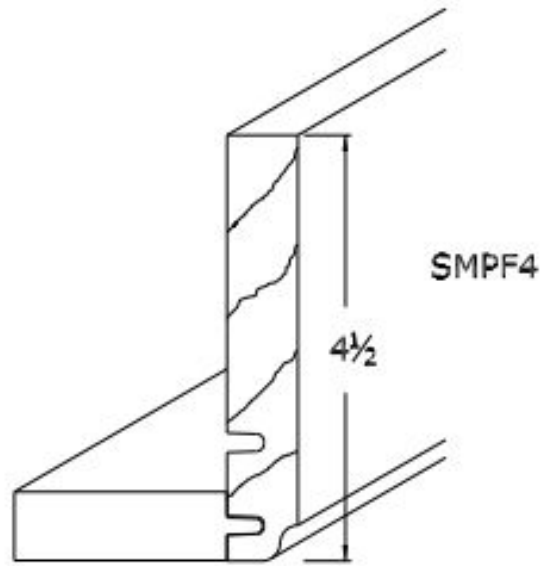
HOMESTEAD PANEL DOOR

KNOTTY ALDER

CORIANDER



INSTALL ON (2) WALL CABINETS ONLY-SEE PLAN



TOP MOLDING: SMPF4 Attach to top of cabinet for Inset, cut down to appropriate height



COUNTERTOP & BACKSLASH

BDG

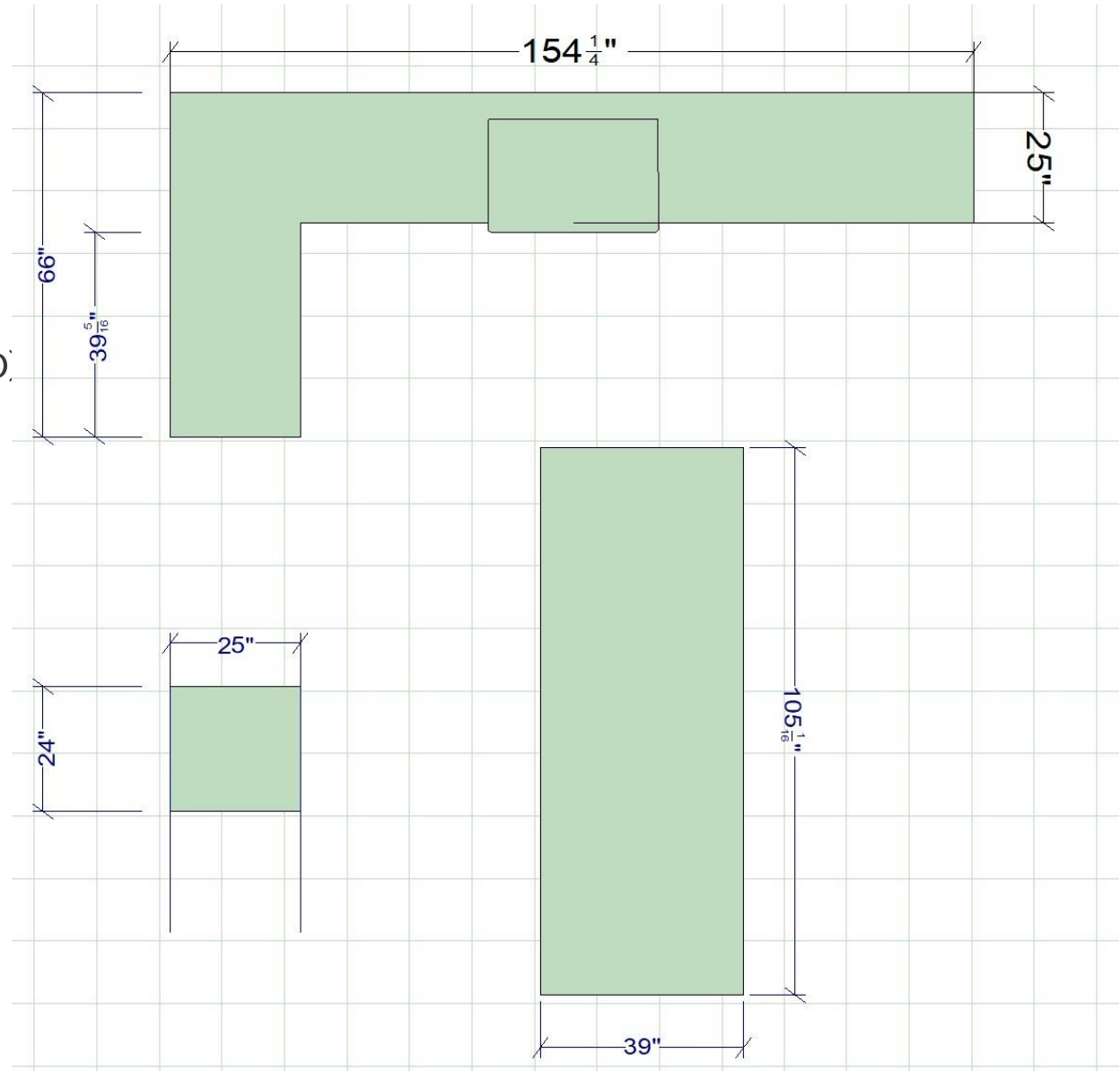
NO SCALE

-QUARTZ: ONE COLOR FOR ALL

-QUARTZ BACKSLASH

-QUARTZ WATERFALL EDGE (BOTH ENDS OF ISLAND)

QUARTZ COLOR PENDING...





KITCHEN OVERHEAD RENDERING

BDG

NOT TO SCALE



RANGE WALL RENDERING

NOT TO SCALE







SINK WALL RENDERING

NOT TO SCALE

BDG



OVERALL RENDERING

NOT TO SCALE





OVERALL RENDERING

NOT TO SCALE





BACK ISLAND RENDERING

NOT TO SCALE



FRONT ISLAND RENDERING

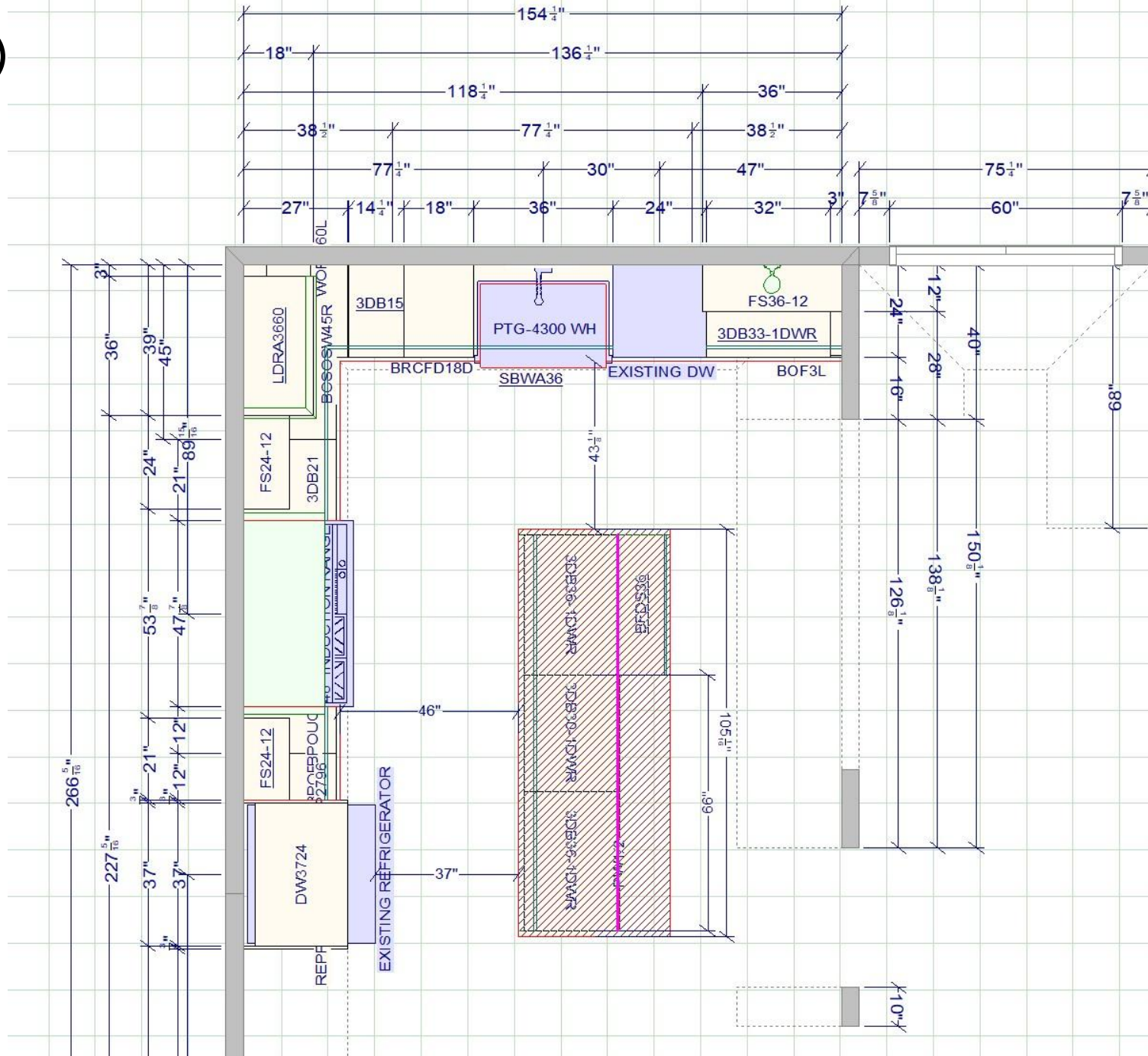
NOT TO SCALE

BDG



# KITCHEN FLOORPLAN

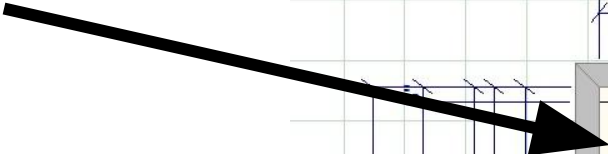
NOT TO SCALE USE DIMENSIONS



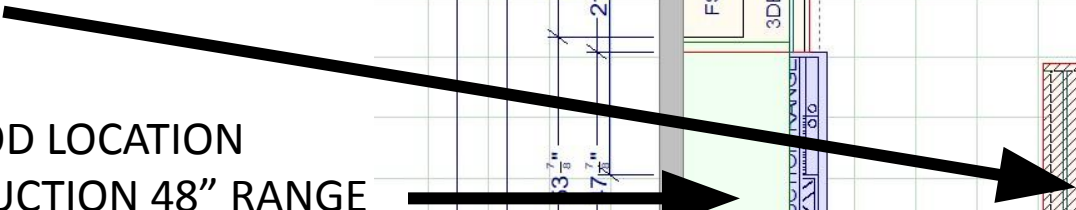
SEE PLAN PRINTED IN ONSITE BOOK



ADD OUTLET IN LARDER CABINET



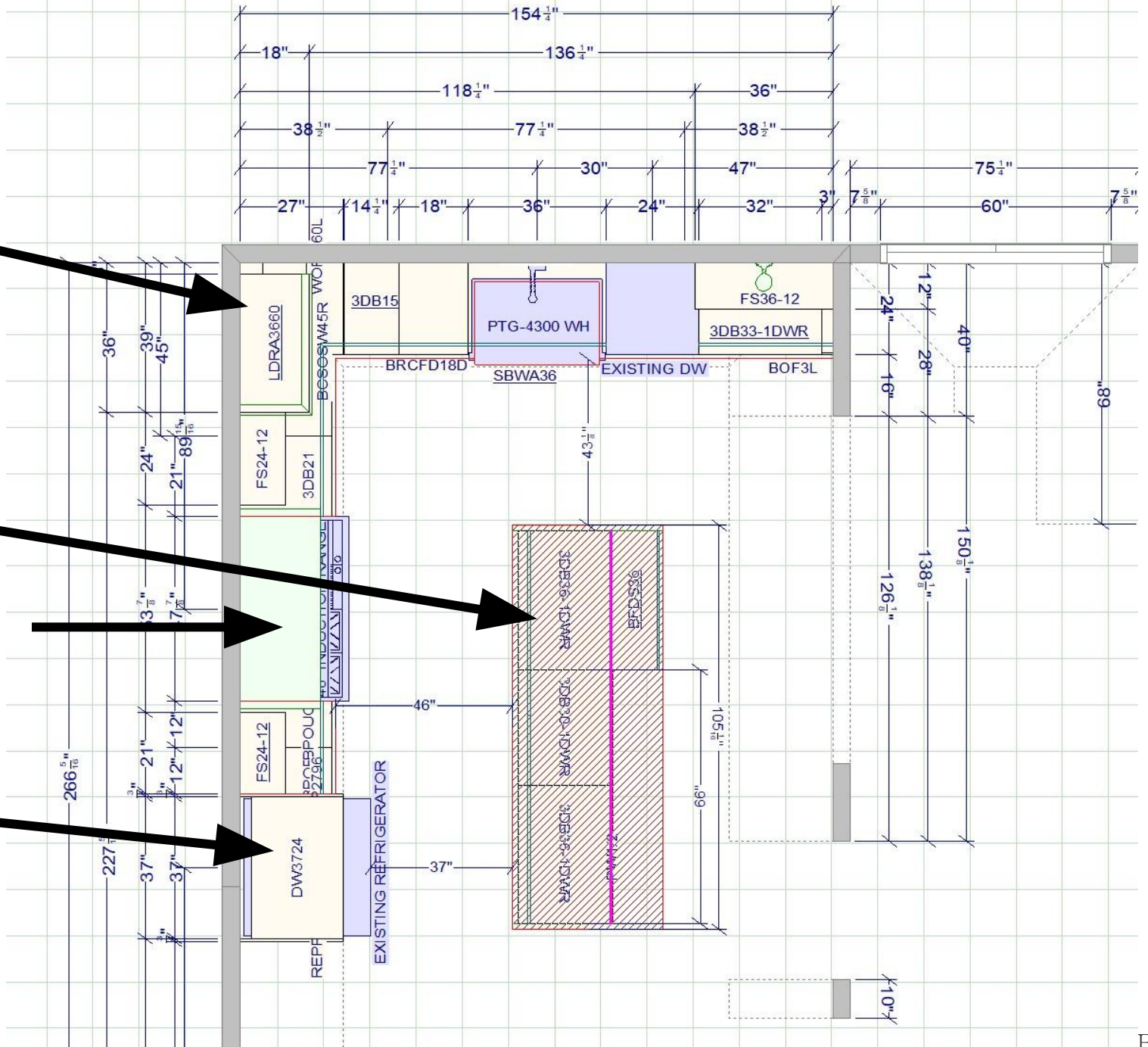
PENDING OUTLET LOCATION IN ISLAND



OUTLET FOR NEW HOOD LOCATION  
OUTLET FOR NEW INDUCTION 48" RANGE



MOVE  
REFRIGERATOR  
OUTLET

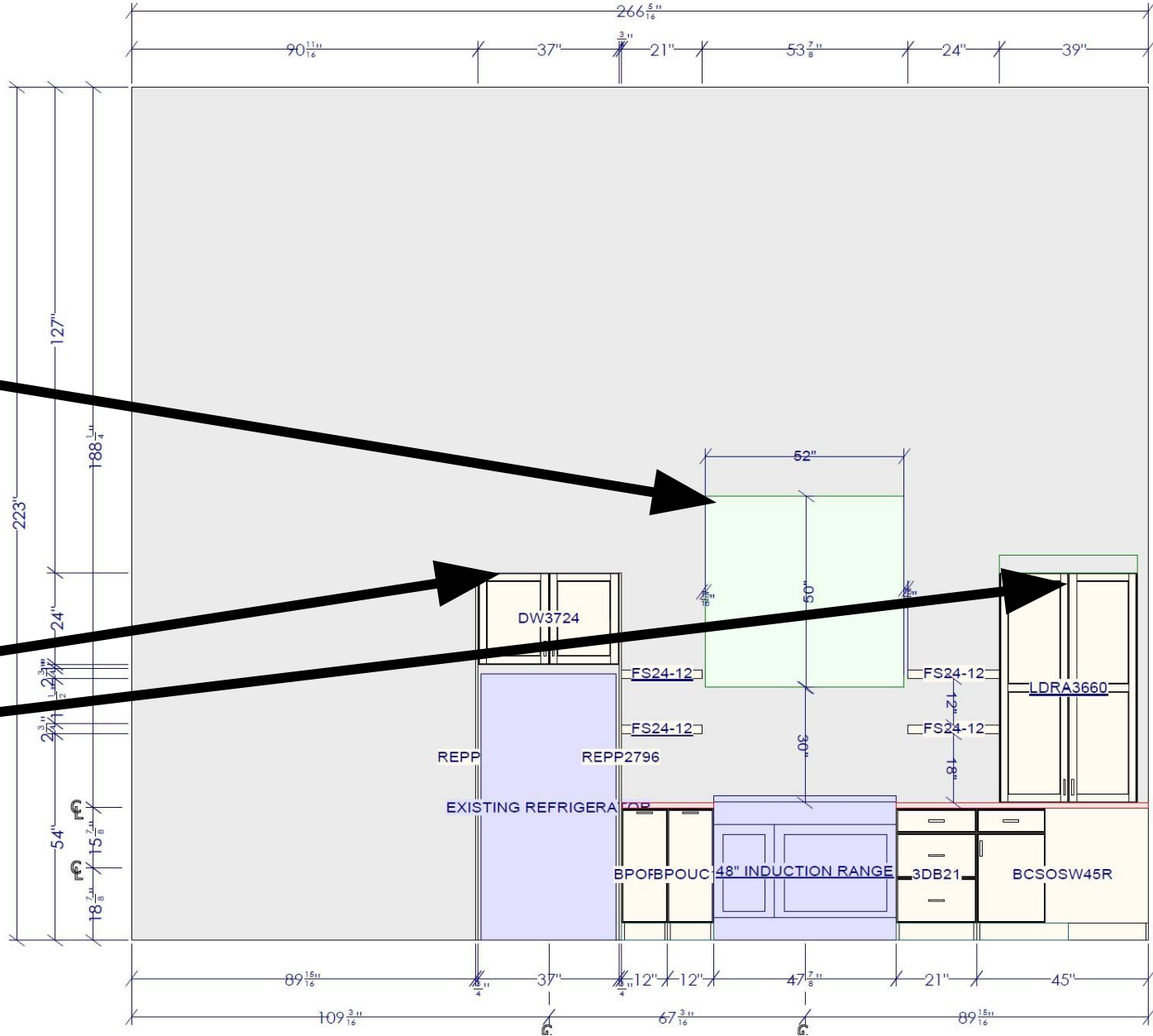


FRAME/DRYWALL HOOD

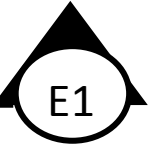
ANGLE TOP DOWN FOR DUST

INSTALL HOOD INSERT- WILL GIVE APPLIANCE SPECS

INSTALL CABINET PANELS TO TOP OF BOTH WALL CABINETS



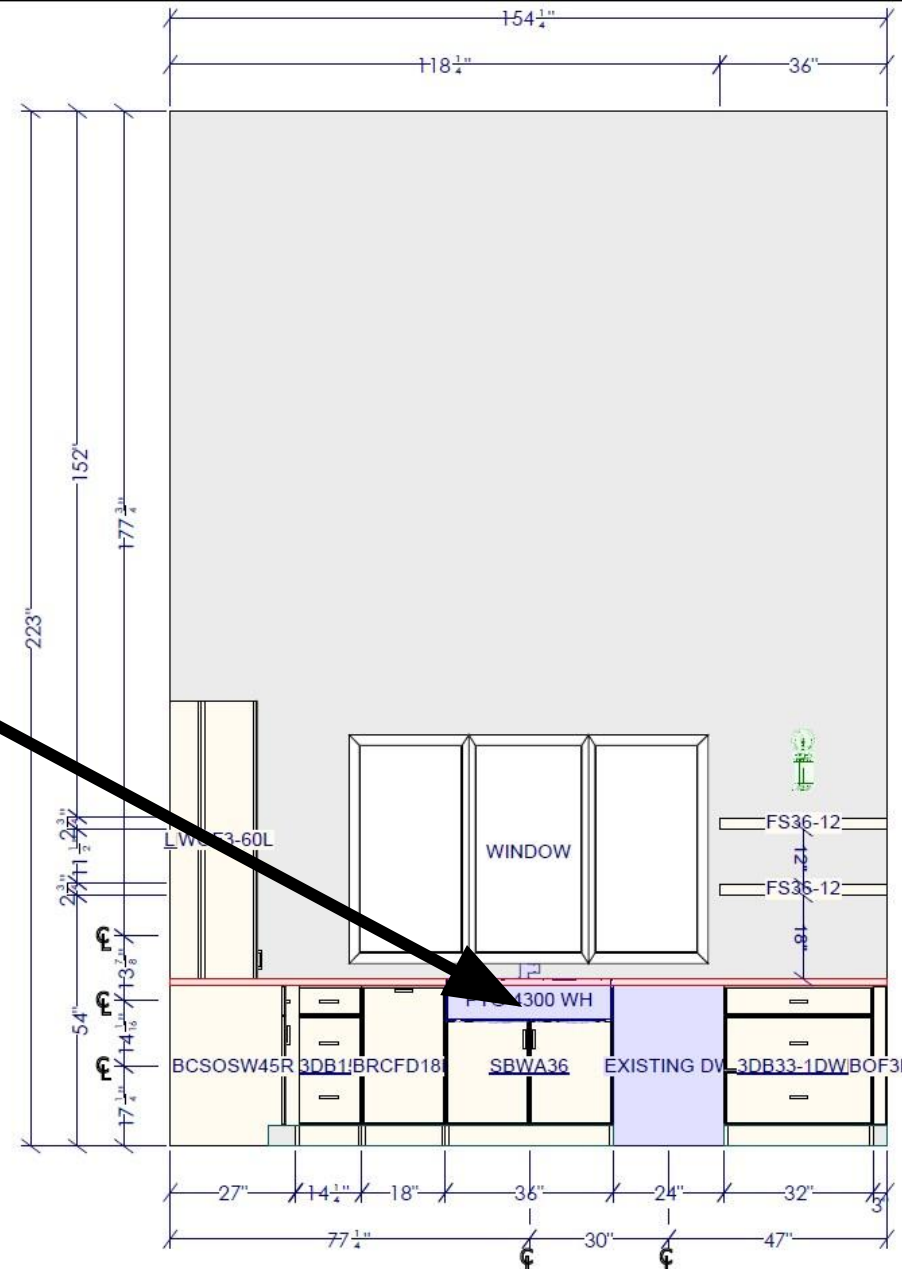
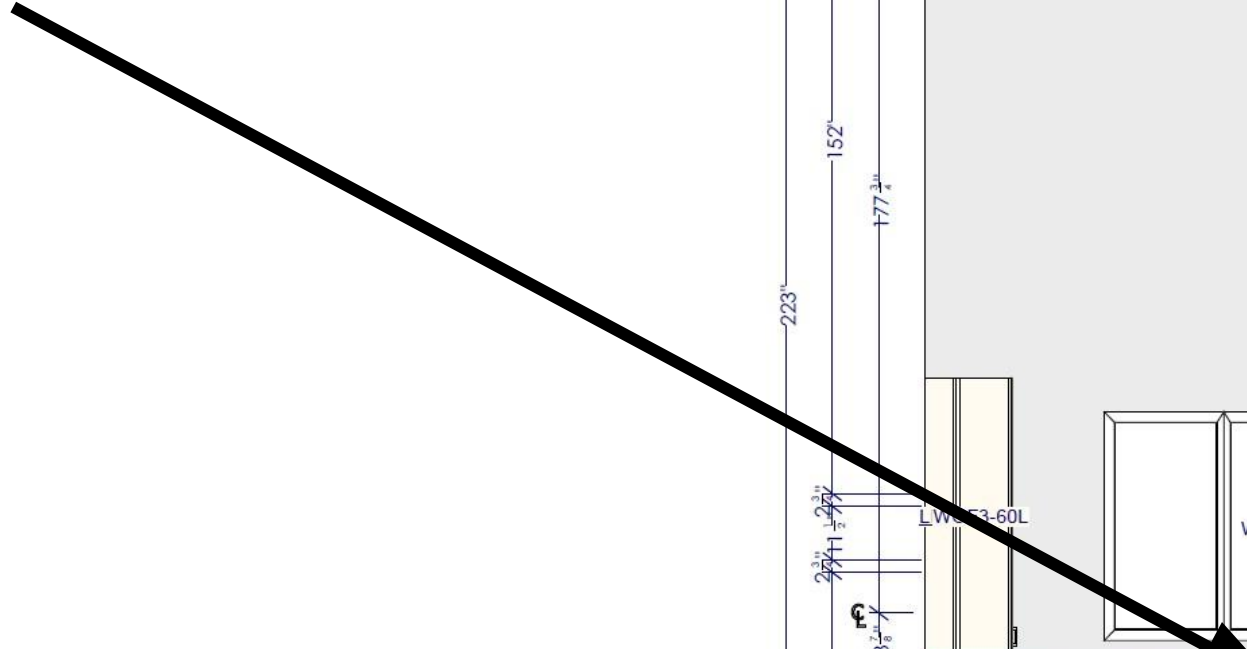
ELEVATION 1



NOT TO SCALE SEE DIMENSIONS

SEE PLAN PRINTED IN ONSITE BOOK

INSTALL CLIENT SUPPLIED FARMHOUSE KITCHEN SINK AND FAUCET

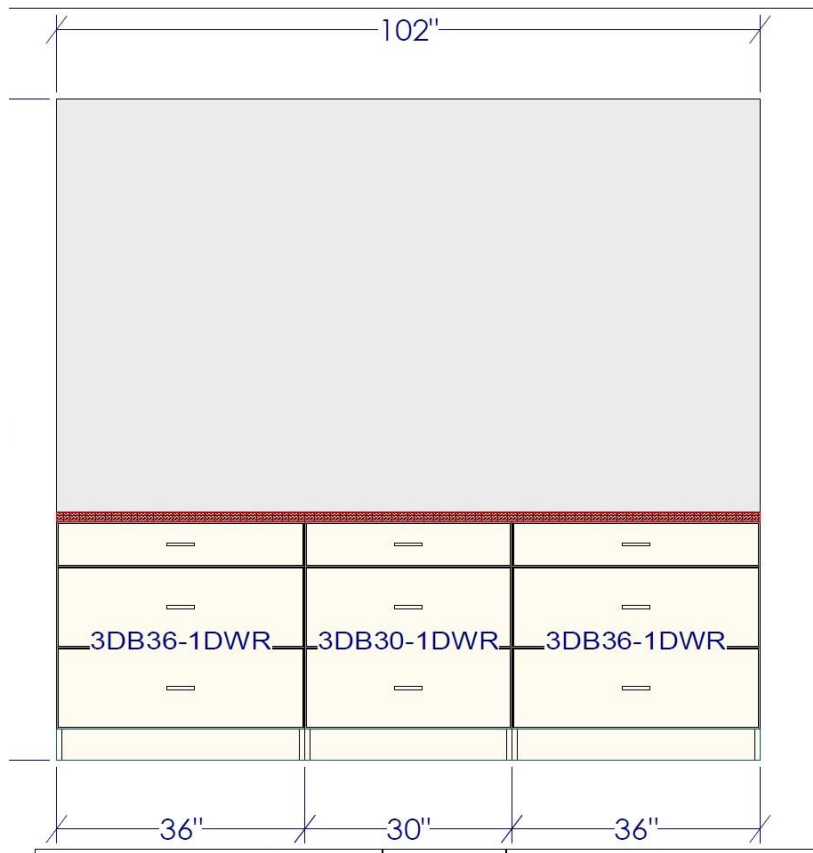


## ELEVATION 2

NOT TO SCALE SEE DIMENSIONS

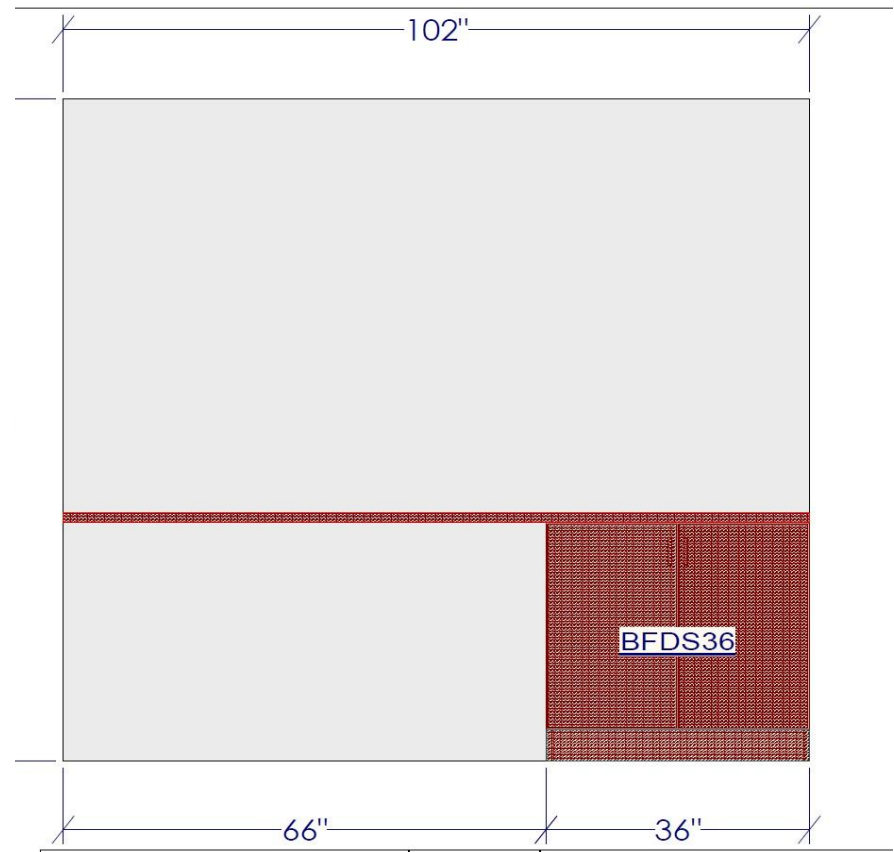


SEE PLAN PRINTED IN ONSITE BOOK



ELEVATION 3

E3



ELEVATION 4

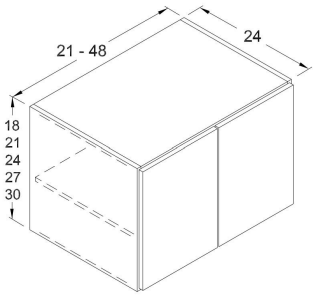
E4



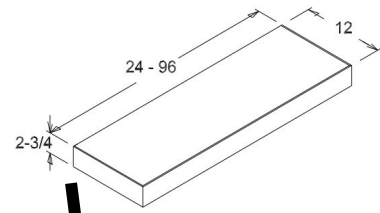
# CABINET LAYOUT 1



NOT TO SCALE



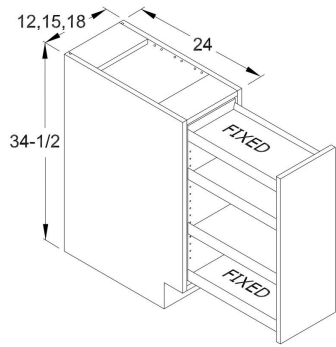
SQUARE WALL CORNER



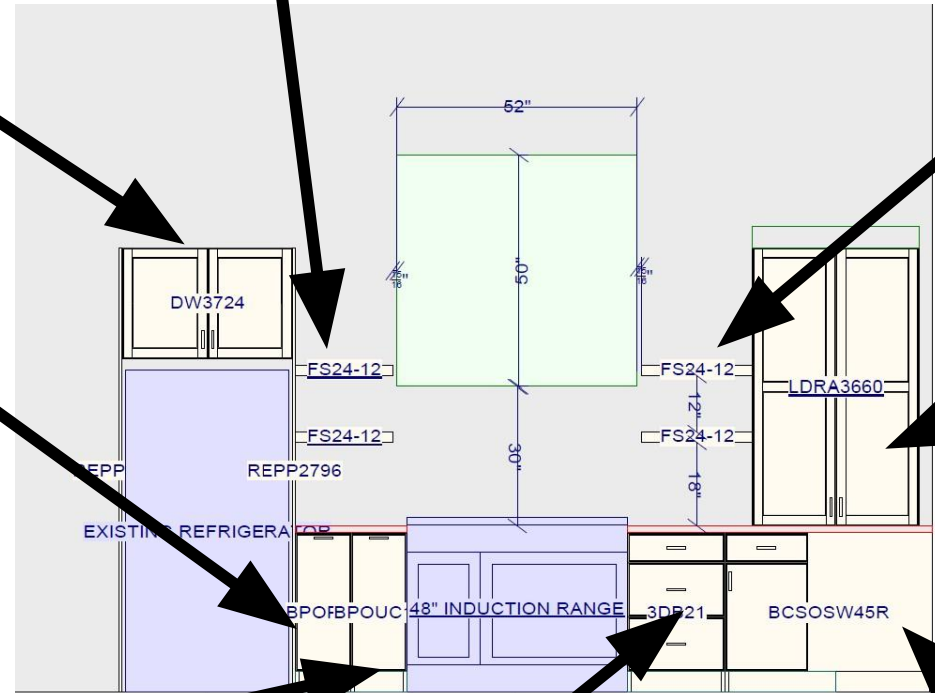
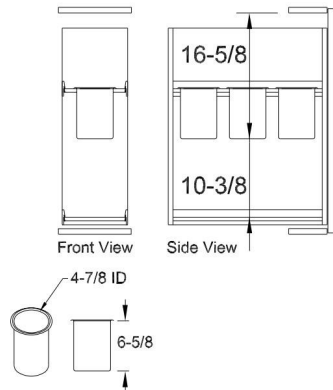
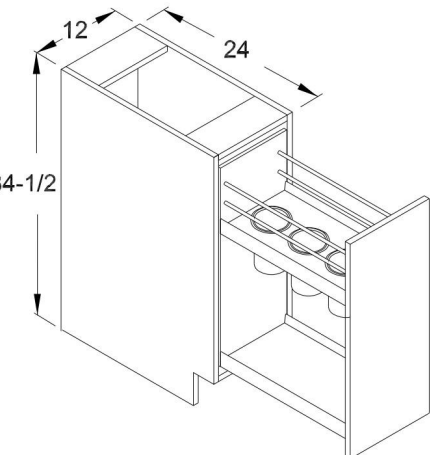
FLOATING SHELVES (2) CUT TO 21" WIDTH-BRACKETS NOT INCLUDED

FLOATING SHELVES (2) 24" WIDTH BRACKETS NOT INCLUDED

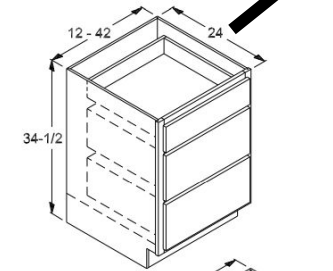
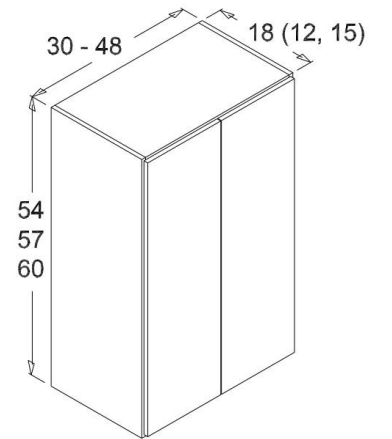
BASE PANTRY PULLOUT



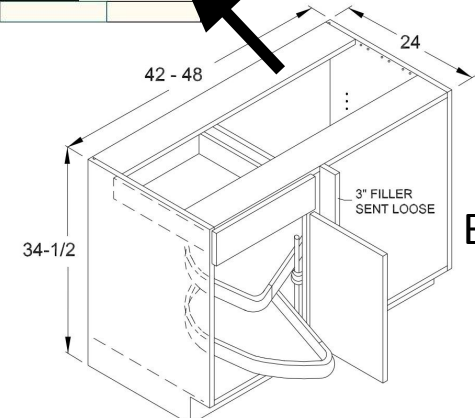
BASE PULLOUT UTENSIL



LARDER CABINET



3 DRAWER BASE



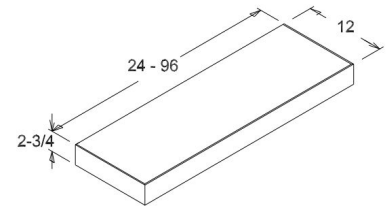
BLIND CORNER

# CABINET LAYOUT 2

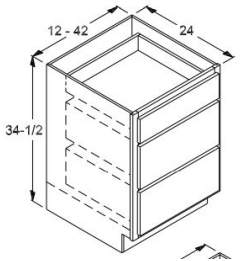
BDG

NOT TO SCALE

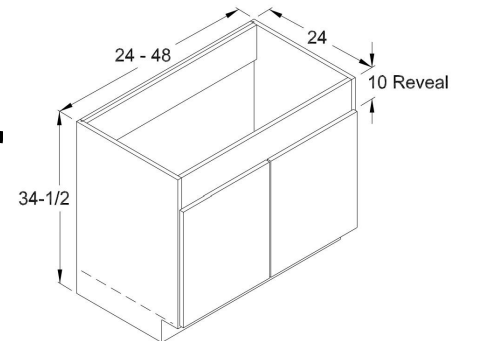
(2) FLOATING  
36" SHELVES



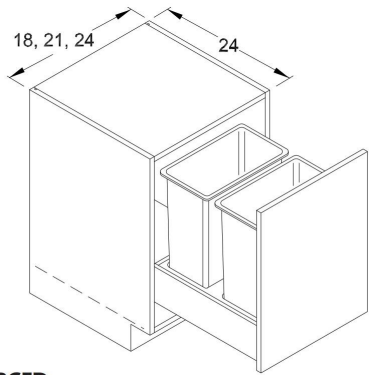
3 DRAWER BASE



FARMHOUSE  
SINK



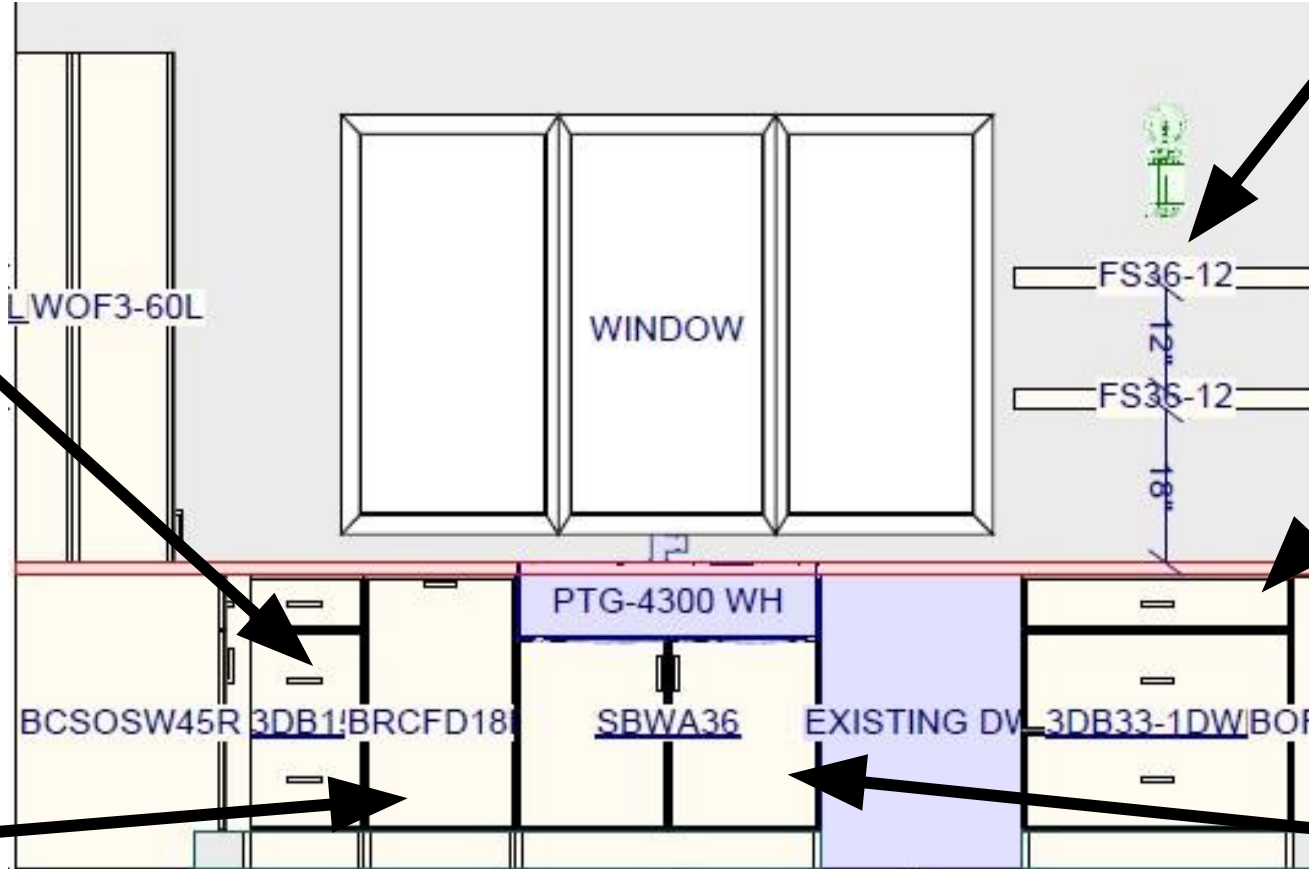
3 BASE  
DRAWER



BRCFD

Two 50 quart baskets

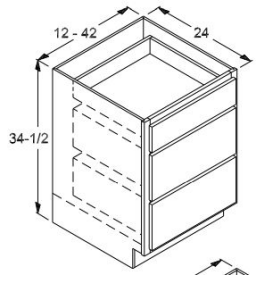
FULL HEIGHT  
TRASH CABINET



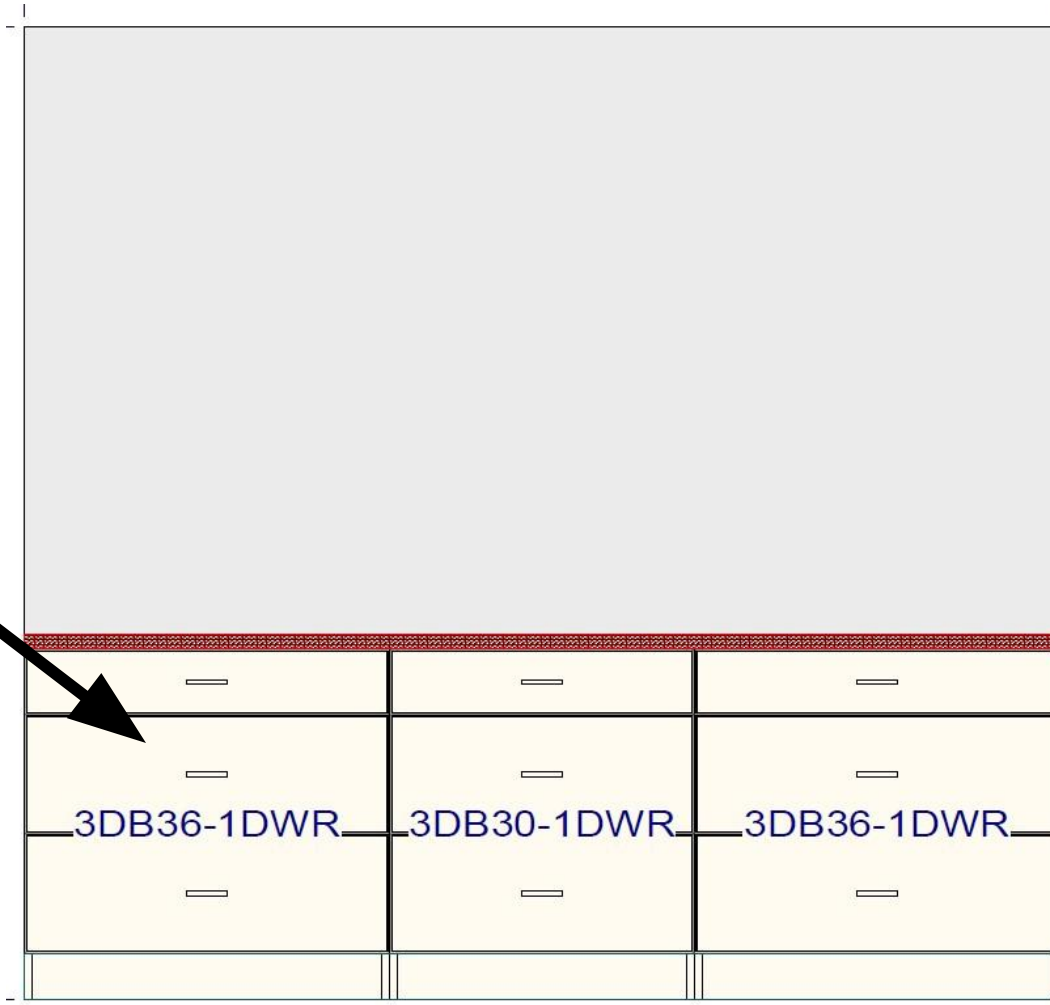
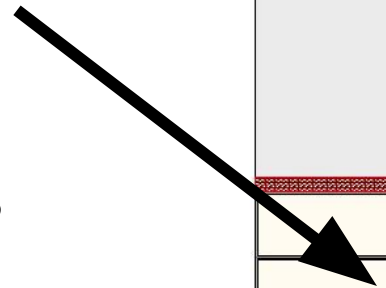
# CABINET LAYOUT 3

BDG

NOT TO SCALE



(3) 3 DRAWER BASES



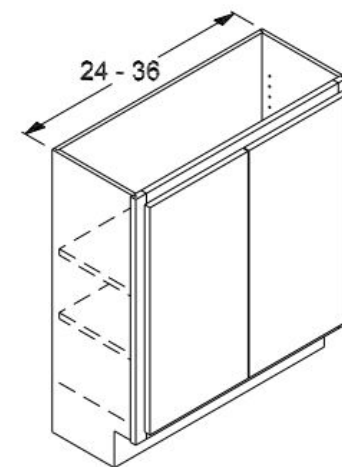
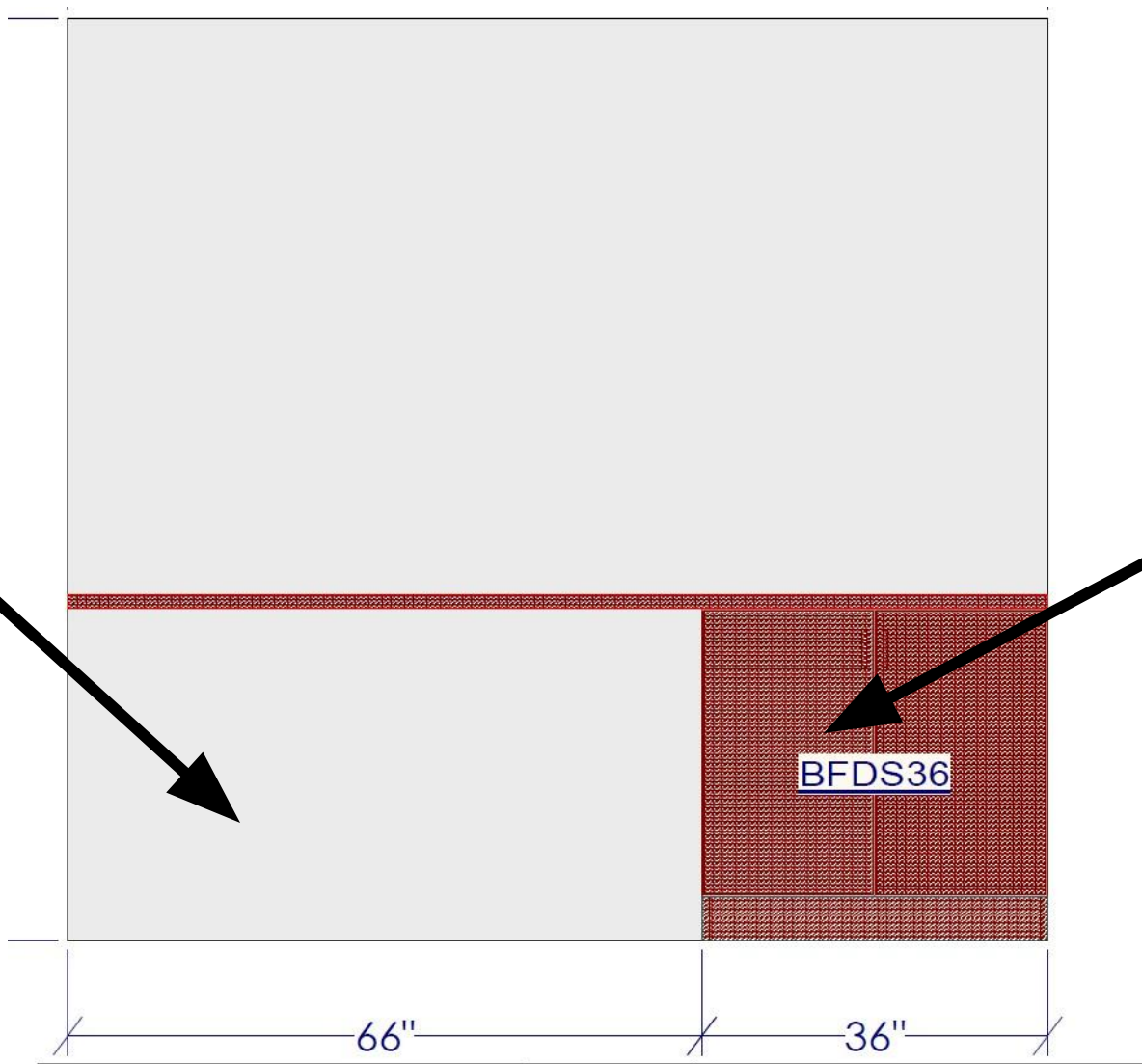
CABINET LAYOUT 4

BDG

NOT TO SCALE

¾ PANEL FOR BACK OF  
ISLAND CABINETS

12" DEEP FULL BASE  
CABINET 36"  
WIDE-FLUSH TOE



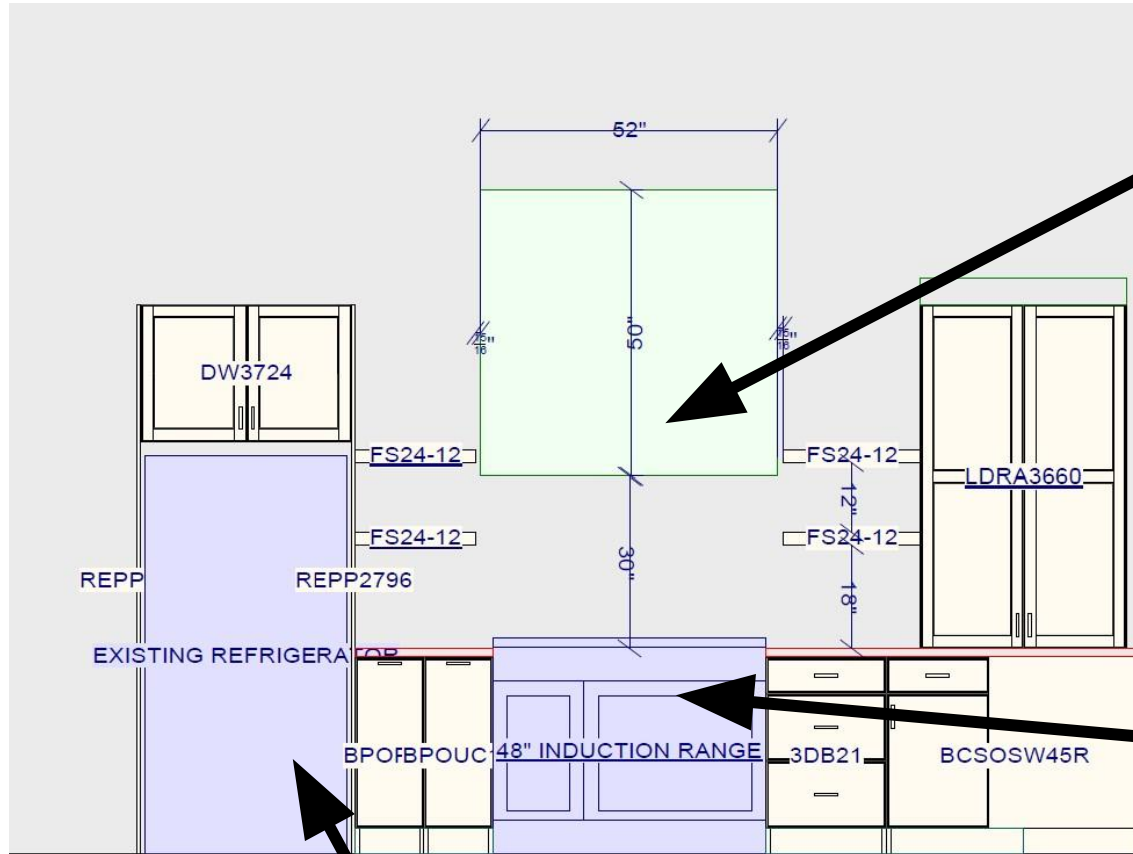


APPLIANCE LAYOUT 1

BDG

NOT TO SCALE

HOOD VENT PENDING



EXISTING REFRIGERATOR

48" MERCURY  
INDUCTION  
RANGE

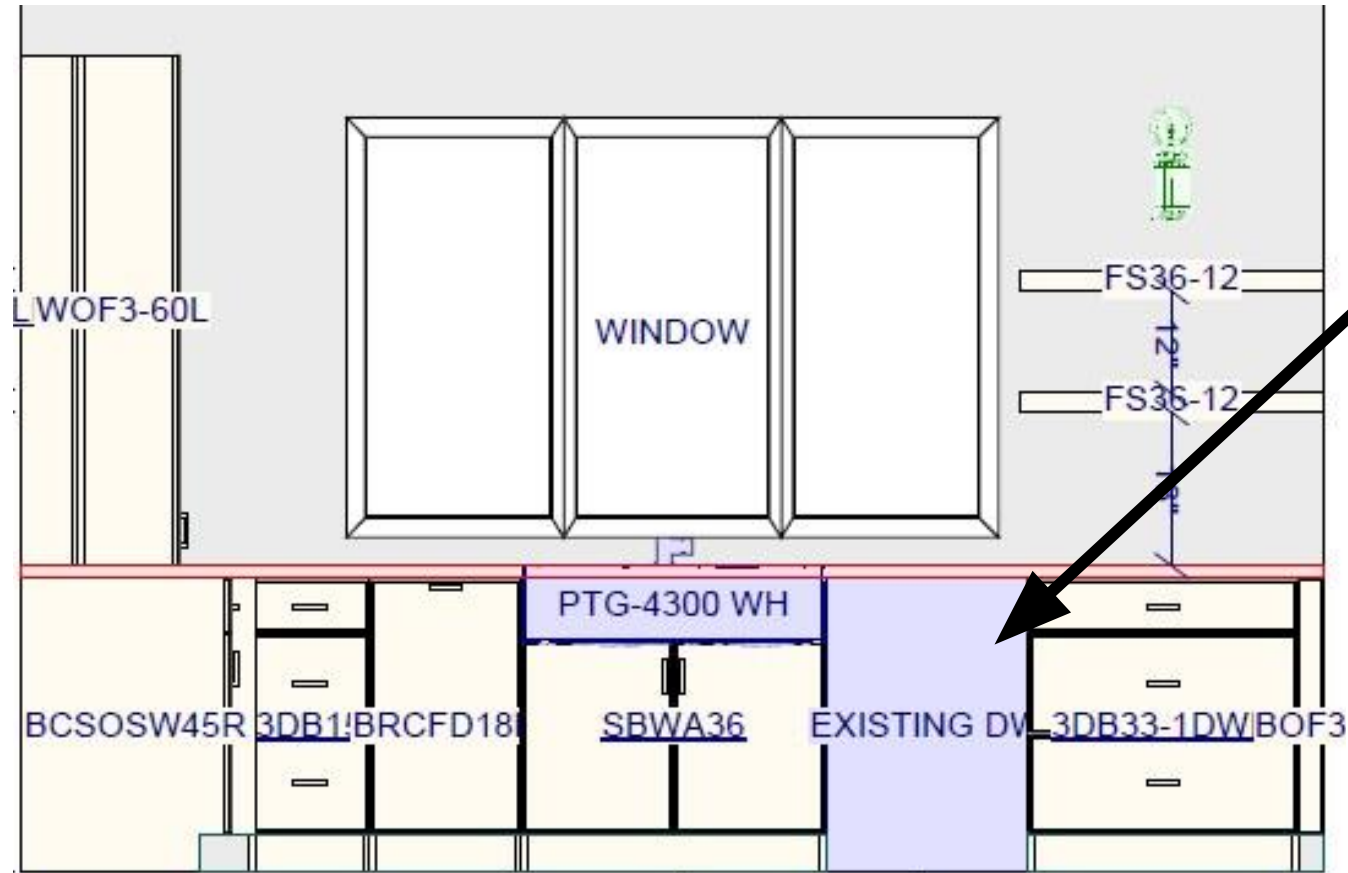


APPLIANCE SPECS PRINTED IN ONSITE BOOK

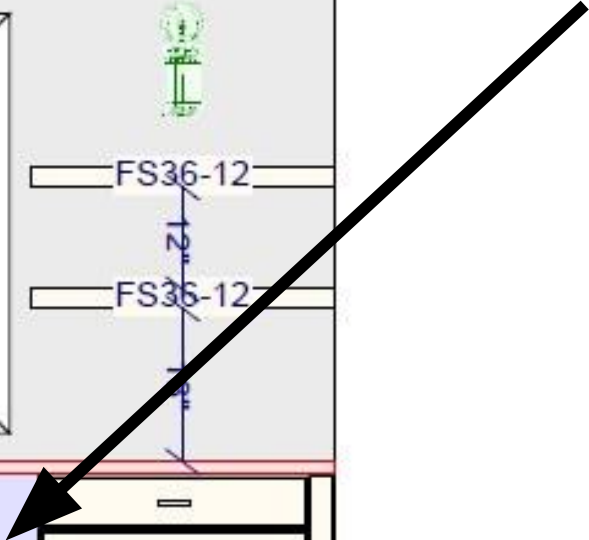
APPLIANCE LAYOUT 2

BDG

NOT TO SCALE



KEEP EXISTING  
DISHWASHER



PLUMBING SPECS



---

NOT SPECIFIED BY CLIENT

LIGHTING SPECS



---

NOT SPECIFIED BY CLIENT

FLOORING SPECS



NO SCALE

CLIENT TO PURCHASE NAIL DOWN HARDWOOD FLOORING FROM FLOOR  
AND DECOR



FIREPLACE DESIGN

---

BDG

# FIREPLACE DESIGN

BDG

NO SCALE

INSTALL WOOD STATS FROM FIREPLACE TOP TO CEILING-VERON TO SOURCE AND PURCHASE

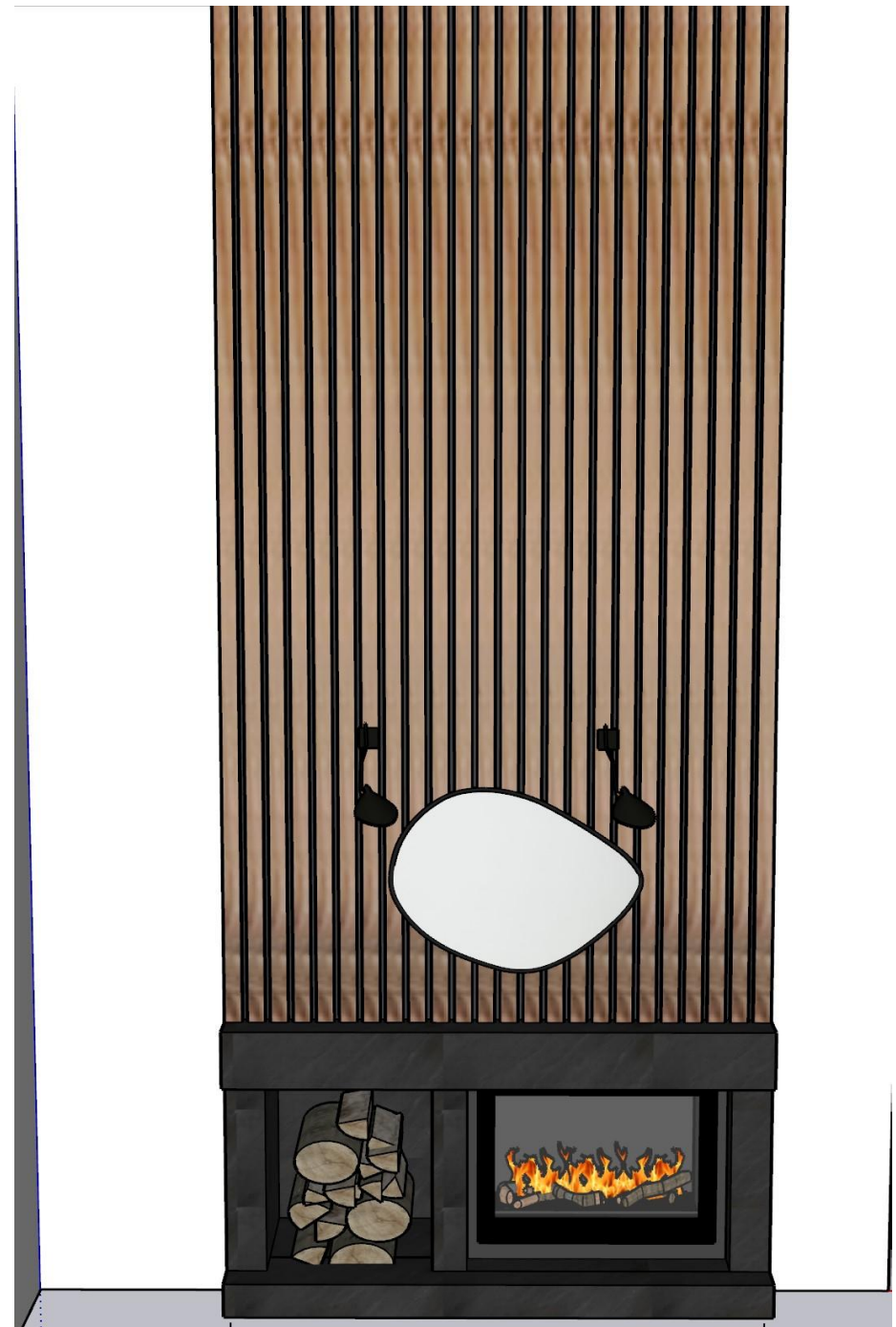
INSTALL (2) SCNCE LIGHTS

INSTALL TILE ON FIREPLACE AND INSIDE FIREWOOD BOX

KEEP EXISTING FIREPLACE INSERT

REPLACE HEARTH WITH NEW TILE

CLIENT CAN INSTALL OWN MIRROR OR ART



# FIREPLACE FRONT DESIGN

BDG

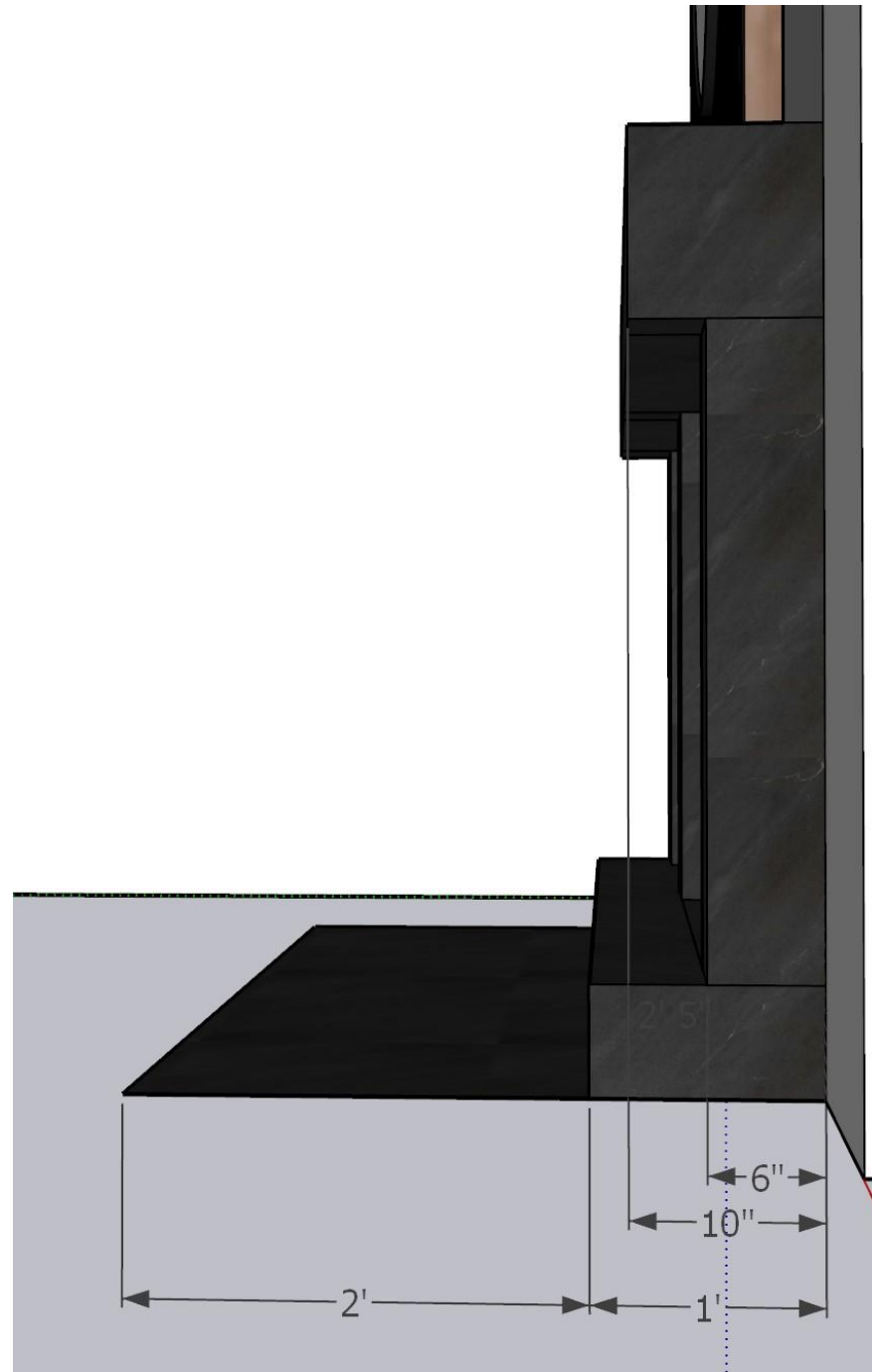
NO SCALE



# FIREPLACE PROFILE DESIGN

BDG

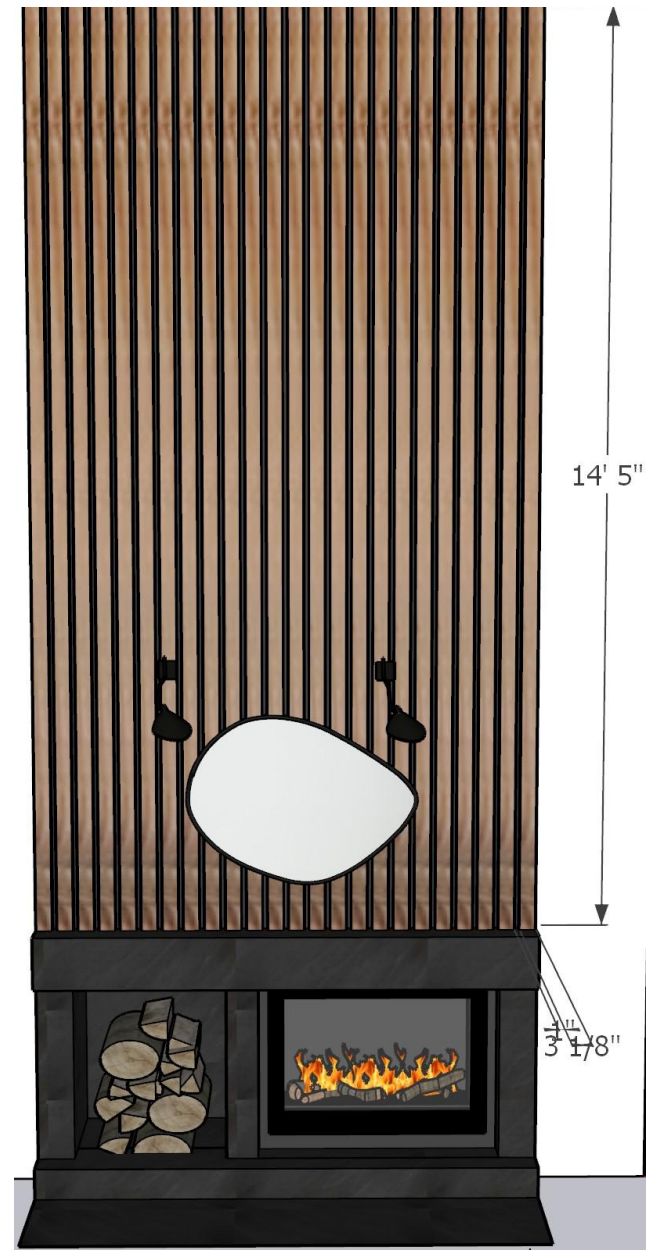
NO SCALE



# FIREPLACE FRONT DESIGN

BDG

NO SCALE

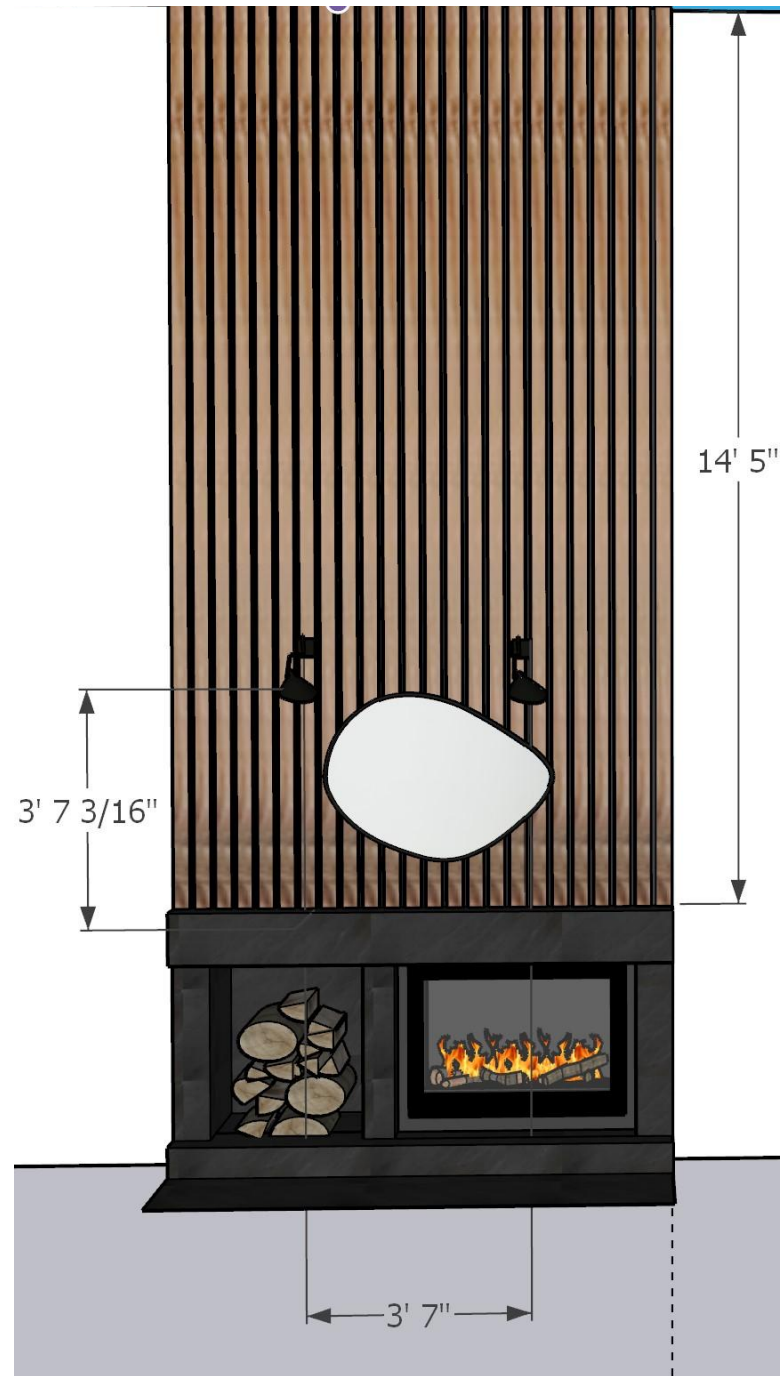




# FIREPLACE LIGHT DESIGN

BDG

NO SCALE



# FIREPLACE DESIGN

BDG

NO SCALE



PENDING ITEMS

SUPPLIED BY CLIENT:

- PENDANT LIGHTING
- CABINET HARDWARE
- KITCHEN SINK
- KITCHEN FAUCET
- APPLIANCES
- FIREPLACE TILE
- FIREPLACE SCONCE LIGHTING
-